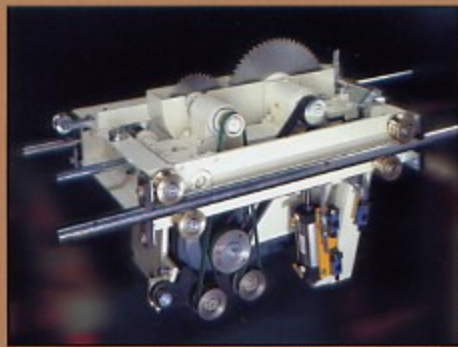
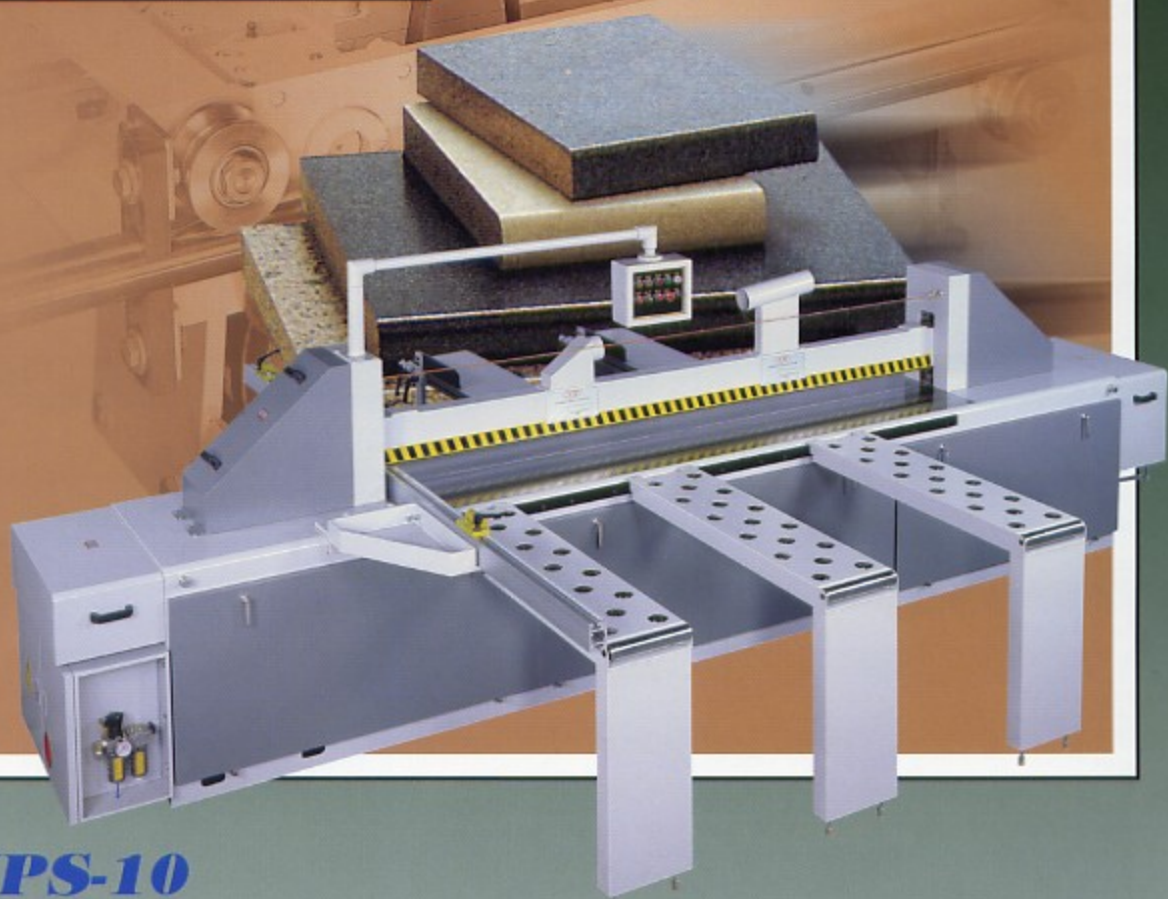


Auto. Panel Saw



SAW CARRIAGE

Saw carriage moves on hard chrome plated guide rods for accurate straight movement that guarantees the maximum cutting accuracy. Scoring blade may be easily adjusted for proper depth of cut.



HPS-10

The new Auto Panel Saw from Holytek, with an advanced carriage system, features a saw carriage which moves on hard, chrome plated guide rods. This guarantees accurate, straight movement and maximum cutting accuracy. The easily controlled rip fence may be micrometrically adjusted from 35 to 1,200 mm. Vertical and lateral adjustment of the scoring blade allows clean burrs. The saw unit feed has a three-speed adjustment and the return is accomplished in rapid traverse. All this, combined with innovative safety features, present a dependable machine also at an economical price.

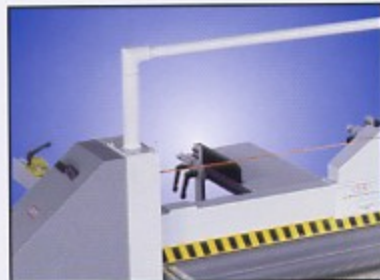
HOLYTEK



PRESET CUT OFF LENGTH

● A graduated rule is attached on cross cut fence for reading the length being cut. It is combined with a swing stop for cutting identical length in mass production.

- Quick action lever locks setting securely.
- Universal ball table (front) standard.

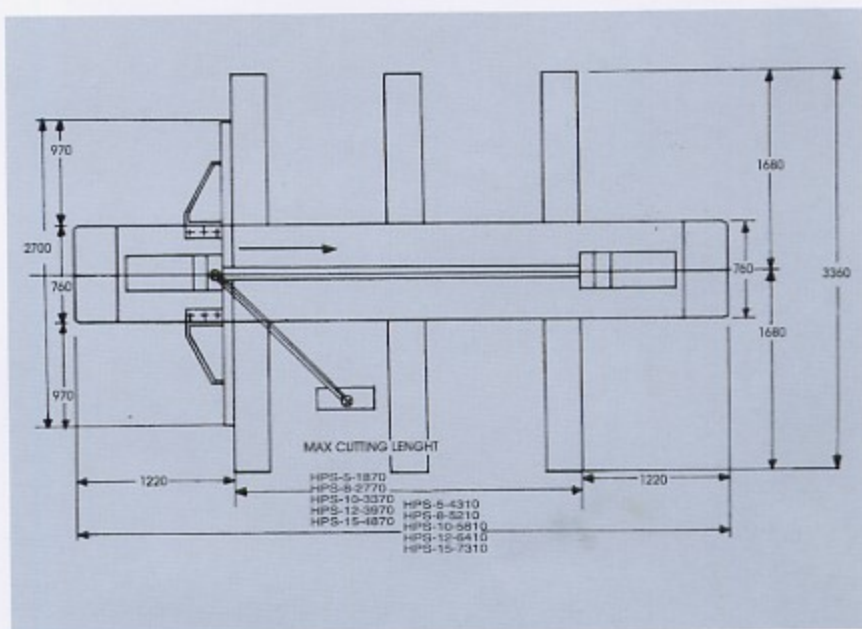


EASY CONTROL RIP FENCE

Rip fence may be micrometric adjusted, permitting fence to be locked rigidly and accurately parallel to the cutting track.

DESIGN FEATURES:

- Precision ground guide rod. Made from medium carbon steel, coated with hard chrome, to provide smooth and accurate travel.
- Vertical and lateral adjustment of scoring saw blade permits clean burrs.
- Saw unit feed has 3 speed adjustment and the return is accomplished in rapid traverse.
- Heavy gauge base frame and table rest are welded from cold rolling steel plate-offers rugged construction.
- "Follow-up" type dust collector system assures high efficiency for collection.
- Guide rod fitted with PU board to wipe off dust efficiently.
- Fast and convenient length adjustment with micrometric adjustment ranging from 35 to 1,200 mm.



MODEL		HPS-5	HPS-8	HPS-10	HPS-12	HPS-15
Spindle motor	HP	13	13	13	13	13
Feeding motor	HP	2	2	2	2	2
Spindle saw blade Dia.	inch	14"	14"	14"	14"	14"
Spindle Dia.	inch	1"	1"	1"	1"	1"
Spindle speed	R.P.M.	4400	4400	4400	4400	4400
Pre-scoring saw blade Dia.	mm	160	160	160	160	160
Pre-scoring spindle Dia.	inch	1"	1"	1"	1"	1"
Pre-scoring spindle speed	R.P.M.	6400	6400	6400	6400	6400
Max. cutting, height	mm	85	85	85	85	85
Max. cutting, length	mm	1650	2600	3200	3800	4700
Feeding speed	M/min	15-20-25	15-20-25	15-20-25	15-20-25	15-20-25
From floor to table height	mm	820	820	820	820	820
Compressed air required	kg/cm ²	5.5	5.5	5.5	5.5	5.5
Machine dimension	mm	4300x2700x1650	5300x2700x1650	5900x2700x1650	6500x2700x1650	7500x2700x1650
Machine weight	kgs	1900	2240	2320	2800	3350
Packing size	mm	4620x1000x1650	5400x1000x1650	6000x1000x1650	6600x1000x1650	7600x1000x1650
Pallet weight	kgs	2300	2320	2400	3200	3700

● Specifications and design characteristics are subject to change without prior notice.

HOLYTEK

HOLYTEK INDUSTRIAL CORP.

9F-1, NO. 400, SEC. 1, CHANG PING RD., TAICHUNG, TAIWAN, R.O.C.

TEL: 886-4-2245-2818 (REP.) FAX: 886-4-2243-6928

E-mail: holytek@ms13.hinet.net

http://www.holytek.com.tw