

GROSS

GROSS

Grinding and briquetting technology

Single-shaft grinder Series GAZ 82 - GAZ 252

The flexible and powerful grinders
for universal deployment.



GAZ Series 82 - 252

The slow turning single shaft grinders

The GAZ 82 and GAZ 82 S series are specially built to meet the demands of the woodworking industry. It can shred all types of wood waste such as chip-pings, pallets, particle board etc. The basic models are equipped to customer specific requirements (throughput capacities, hopper and rotor design etc.).

The GAZ 102 – GAZ 252 series was designed for shredding of large material quantities. The single-shaft shredders are suitable for shredding all types of woods, and hard and tough plastics. The high-performance motors from 1 x 22 kW to 2 x 90 kW with turbo coupling provide for high throughput.

Application examples



Two-step shredding single-shaft shredder
GAZ 252 Herkules I, combined with GNZ mill



GAZ 82 deployed in furniture manufacture



GAZ 82 with customer specific hopper
(sound proofed, double skinned)



GAZ 122 on mount with extraction



GAZ 122 on mount with extraction

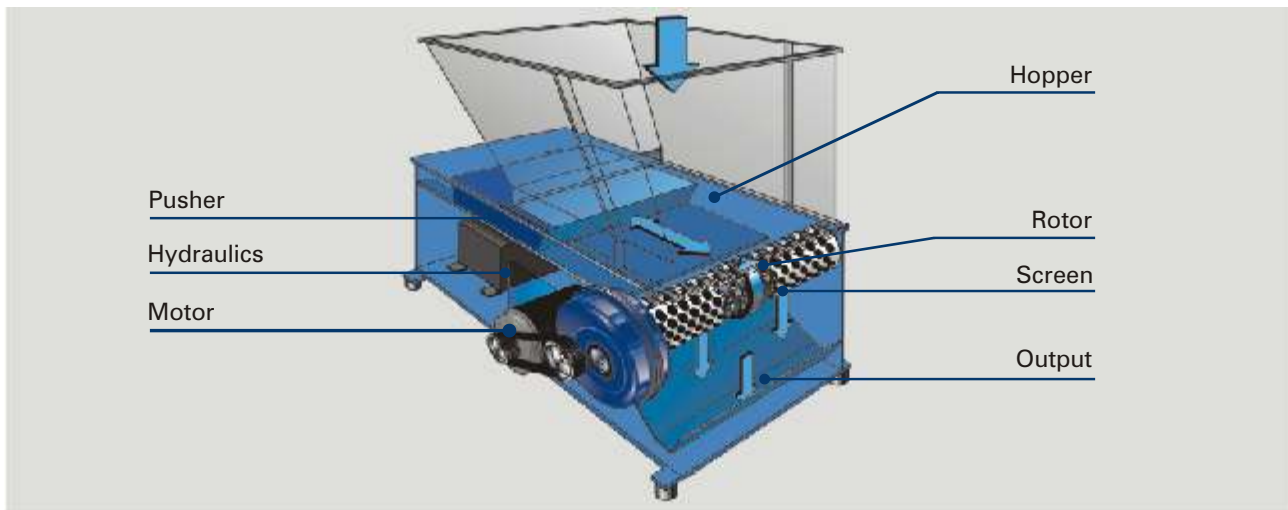


GAZ 102 in pit



GAZ 102 set up below ground, with hopper expansion

Functional description / Details



Material is fed through the hopper in front of a hydraulically operated pusher which pushes the material under load-dependant control onto the revolving rotor. The material is shredded between the rotor knives and a fixed counterknife. The pus-

her is fitted with wiper strips which prevent material from entering between the drawer and machine housing. The perforated sieve with varying hole diameters determines the size of the chippings or shavings. The shavings produced can be

removed from the machine by means of a suction device or a screw conveyor. As soon as the material in the hopper has been completely shredded, the machine switches off automatically.



Screen



Transmission and hydro coupling



Hydraulics



Powerful Motors



Hopper and Rotor with 362 mm diameter for a high throughput capacity



Switching cabinet / SPS control



Profile rotor with a diameter of 368 mm and concave knives

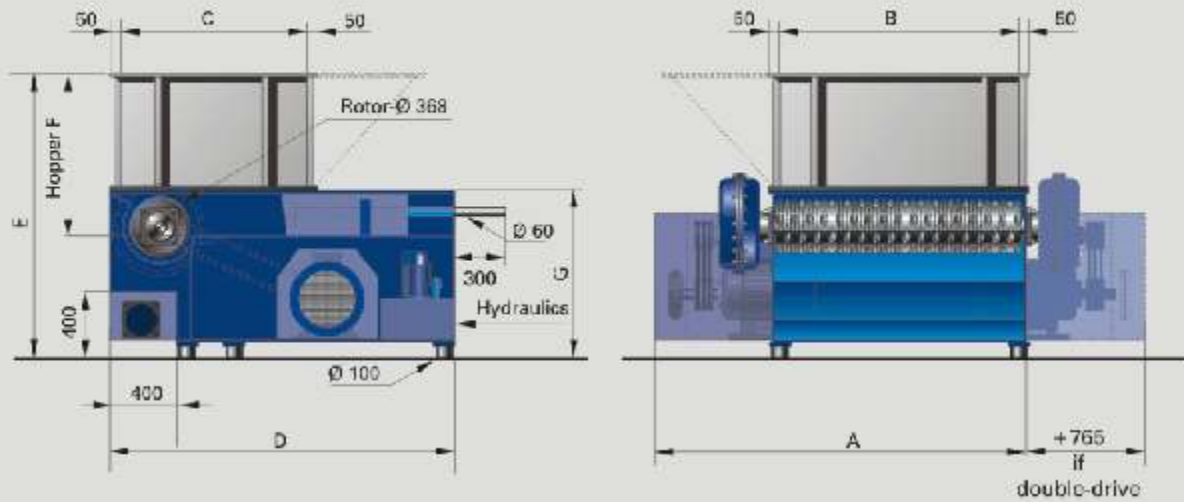


A clean cut even with solid wood



Profile rotor with welded knife carriers

GAZ 82 - GAZ 252



	GAZ 82	GAZ 82 S	GAZ 102	GAZ 122	GAZ 142	GAZ 152	GAZ 182	GAZ 202	GAZ 252
Size A (mm)	1.590	1.690	1.800	2.000	2.300	2.300	2.600	3.000	3.300
Size B (mm)	800	800	1.000	1.200	1.500	1.500	1.800	2.000	2.500
Size C (mm)	1.000	1.200	1.200	1.200	1.200	1.500	1.500	1.500	1.500
Size D (mm)	2.000	2.100	2.100	2.100	2.100	2.700	2.700	2.700	2.700
Size E (mm)	1.640	1.730	1.720	1.720	1.720	1.720	1.900	1.900	1.900
Size F (mm)	1.090	1.020	1.030	1.030	1.030	1.030	1.030	1.030	1.030
Size G (mm)	740	1.000	990	990	990	990	1.200	1.200	1.200
Feed opening (mm):	800 x 1.000	800 x 1.200	1.000 x 1.200	1.200 x 1.200	1.500 x 1.200	1.500 x 1.500	1.800 x 1.500	2.000 x 1.500	2.500 x 1.500
Hopper capacity (m ³):	0,9	1,0	1,3	1,5	1,9	2,3	2,8	3,0	3,8
Throughput (kg/h)	material- and screen dependent								
Rotor diameter (mm):	252	368	368	368	368	368	368	368	368
Rotorspeed (rpm):	60 - 100	60 - 100	60 -120	60 -120	60 -120	60 -120	60 -120	60 -120	60 -120
Power required (kW):	15/18,5 22*	18,5/22* 30/37	22/30 37/45	22/30 37/45	30/37 45/55	30/37/45 55/2x55	45/55/75 2x55 2x55/2x75	55/75/90	75/90
Tools (Pieces):	21	23/42	28/52	34/64	43/82	43/82	52/100	58/112	73/142
Screen perforation (mm):	10 - 40	10 - 40	10 -100	10 -100	10 -100	10 -100	10 -100	10 -100	10 -100
Suction piece-Ø (mm):	200	200	200	200	250	250	250	250	250
Weight approx. (kg):	1.500	2.000	2.800	3.200	4.000	4.500	5.800	6.500	8.500

* hydro start coupling possible from 22 kW. PLC option for fully automated operation (upon request)

Special designs upon request.

Demonstrations and trials with your material may be coordinated with our technical staff.

Distributör i
Skandinavien:
Holytek i Sverige
AB

GROSS Apparatebau GmbH
Grinding and briquetting technology
Olgastrasse 13
74072 Heilbronn (Germany)

Phone: +49 - (0) - 71 31 - 98 29 - 90
Fax: +49 - (0) - 71 31 - 98 29 - 92
info@gross-zerkleinerer.de
www.gross-zerkleinerer.de